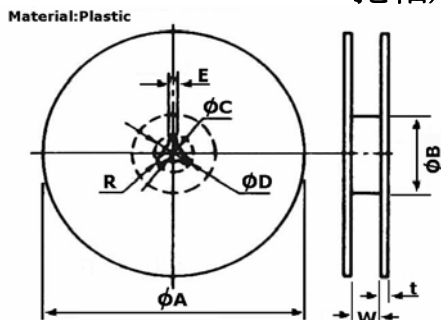


Packaging 包裝

Packaging Quantities 包裝數量

Type	T (Ø178mm) [7.008 inches] reel	T (Ø330mm) [12.992 inches] reel
060303	15000 pcs. / reel	-----
100505	10000 pcs. / reel	-----
160808	4000 pcs. / reel	12000 pcs. / reel
201209	4000 pcs. / reel	12000 pcs. / reel
201212	3000 pcs. / reel	10000 pcs. / reel
321611	3000 pcs. / reel	10000 pcs. / reel
322513	2000 pcs. / reel	10000 pcs. / reel
403022	-----	2500 pcs. / reel
451616	2000 pcs. / reel	9000 pcs. / reel
453215	1000 pcs. / reel	4000 pcs. / reel
453223	-----	2500 pcs. / reel
565015	-----	2000 pcs. / reel
565018	-----	2000 pcs. / reel
565030	-----	2000 pcs. / reel
565032	-----	2000 pcs. / reel
853022	-----	2500 pcs. / reel

Reel Dimensions 捲軸尺寸



Carrier TAPE DIMENSIONS 包裝帶尺寸(參考標準:ICE 60286-3)

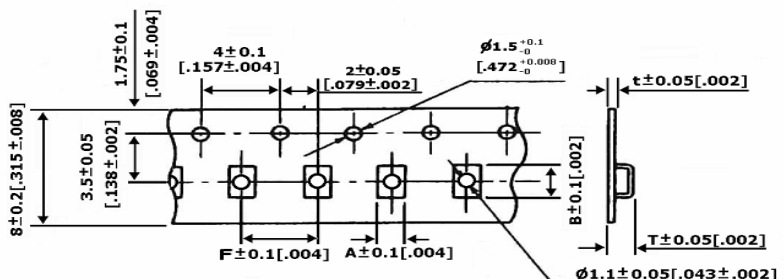


Fig 1

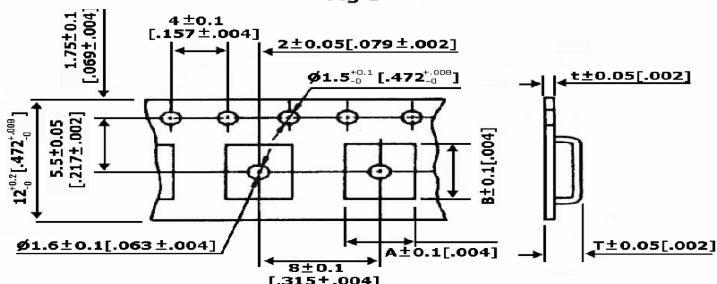
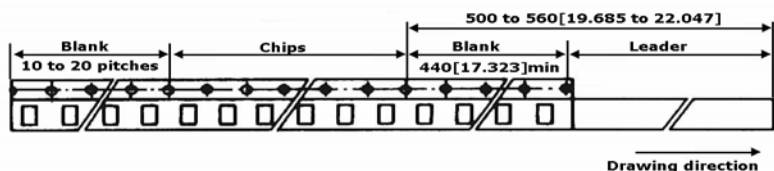


Fig 2

Dimensions in mm [inches]

Symbol	T (Ø178mm) [7.008 inches] reel	T (Ø330mm) [12.992 inches] reel
A	Ø178 ± 2 [7.008 ± 0.079]	Ø330 ± 2 [12.992 ± 0.079]
B	Ø60 ± 2 [2.362 ± 0.039]	Ø100 ± 2 [3.937 ± 0.079]
C	Ø13 ± 0.8 [0.512 ± 0.031]	Ø13 ± 0.8 [0.512 ± 0.031]
D	Ø21 ± 0.8 [0.827 ± 0.031]	Ø21 ± 0.8 [0.827 ± 0.031]
E	2 [0.079]	2 [0.079]
W8 [0.315]	10 ± 1.5 [0.394 ± 0.059]	10 ± 1.5 [0.394 ± 0.059]
W12 [0.472]	14.5 ± 1.5 [0.571 ± 0.059]	14.5 ± 1.5 [0.571 ± 0.059]
T	2 ± 0.5 [0.079 ± 0.020]	2 ± 0.5 [0.079 ± 0.020]
R	1 [0.039]	1 [0.039]

Type	A	B	F	T	t	Fig
100505	0.65[.026]	1.15[.045]	2.0[.079]	0.8[.031]	0.2[.008]	1
160808	1.1[.043]	1.9[.075]	4.0[.158]	1.1[.043]	0.2[.008]	1
201209	1.55[.061]	2.3[.091]	4.0[.158]	1.2[.047]	0.2[.008]	1
321611	1.9[.075]	3.5[.138]	4.0[.158]	1.4[.055]	0.2[.008]	1
322513	2.9[.114]	3.6[.142]	4.0[.158]	1.7[.067]	0.25[.010]	1
403022	3.3[.129]	4.39[.172]	4.0[.158]	2.68[.105]	0.305[.012]	2
451616	2.9[.114]	4.9[.193]	4.0[.158]	1.4[.055]	0.3[.012]	2
453215	3.6[.142]	4.9[.193]	4.0[.158]	2.05[.081]	0.3[.012]	2
453223	3.51[.138]	4.78[.188]	4.0[.158]	2.73[.107]	0.33[.012]	2
565015	5.4[.212]	5.95[.234]	4.0[.158]	2.28[.089]	0.33[.012]	2
565018	5.4[.212]	5.95[.234]	4.0[.158]	2.28[.089]	0.33[.012]	2
565030	5.4[.212]	5.95[.234]	4.0[.158]	3.42[.134]	0.33[.012]	2
565032	5.4[.212]	5.95[.234]	4.0[.158]	3.42[.134]	0.33[.012]	2
853022	3.33[.131]	8.92[.351]	4.0[.158]	2.77[.109]	0.36[.014]	2



Reel and Carrier Diagram

捲軸及包裝帶圖解

Carrier tape material: Polystyrene

Cover tape material: Polystyrene

下封帶材質：聚苯乙烯

上封帶材質：聚苯乙烯

